

wilwood DISC BRAKES

ALL NEW ELECTRIC PARKING BRAKE



ELECTRIC PARKING BRAKE CALIPER

- Forged aluminum caliper body
- Weather-resistant, high-torque motor
- 12V/40A max provides a minimum of 2400 lbs clamping force
- 40A maximum draw during operation
- No voltage/amperage draw once parking brake is set



EPB CONTROL MODULE

- Weather-resistant module body
- 24-pin automotive connector



EPB SWITCH

- Surface mounted, lighted twist on-off switch
- 8-pin connector



EPB WIRING HARNESS

- 16.40-foot long

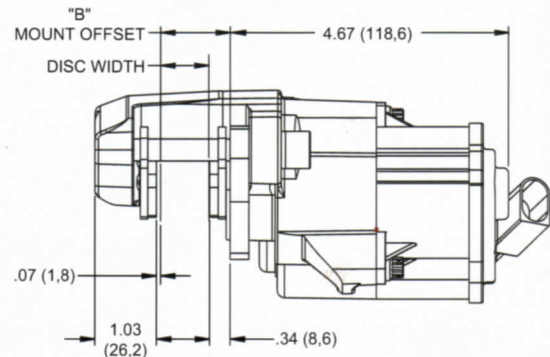
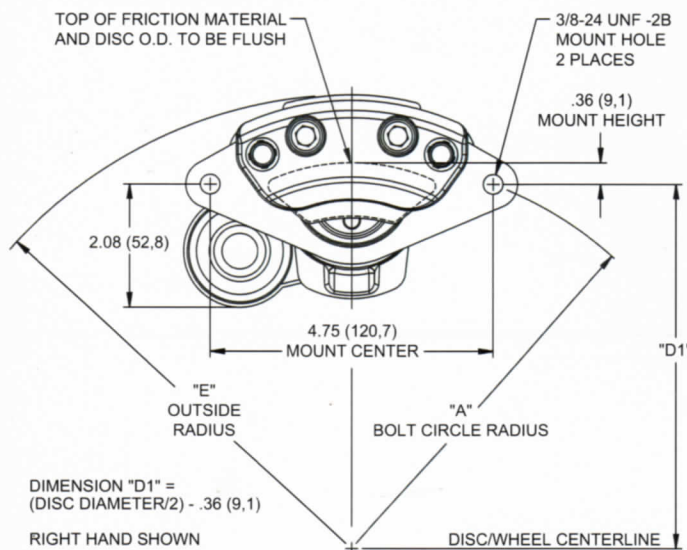


COMPLETE EPB BRAKE KITS ALSO AVAILABLE

REAR END	DESCRIPTION	P/N
Big Ford, New Style	DynaPro Low Profile/EPB Calipers, 11.00" ULHP Rotors	140-15842
Big Ford, New Style	Dynalite/EPB Calipers, 12.19" ULHP Rotors	140-15843
Big Ford, New Style	Superlite 4R/EPB Calipers, 12.88" Spec37 GT Rotors	140-15844
Big Ford, New Style	Superlite 4R/EPB Calipers, 14.00" Spec37 GT Rotors	140-15845
Big Ford, New Style	Aerolite 4R/EPB Calipers, 14.00" Spec37 GT Rotors	140-15846

ELECTRIC PARKING BRAKE SPECS

ELECTRIC PARKING BRAKE CALIPER

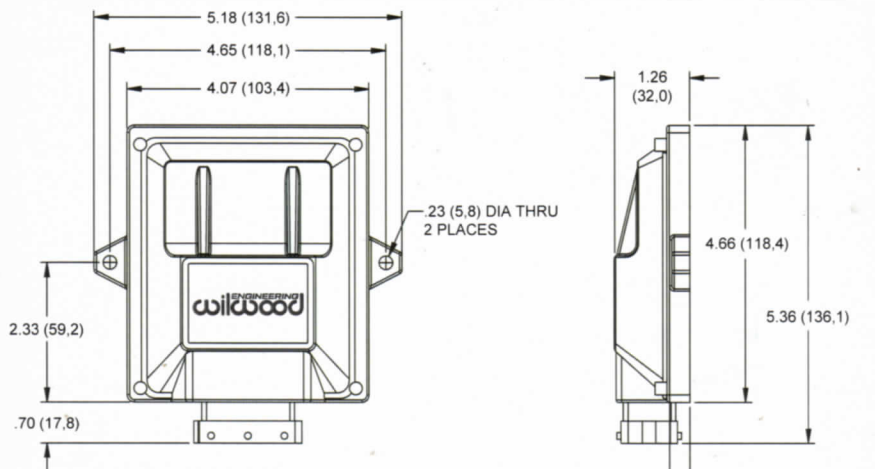


DISC WIDTH	"B" MOUNT OFFSET
.81 (20.6)	1.17 (29.7)
1.10 (27.9)	1.46 (37.1)
1.25 (31.8)	1.61 (40.9)

DISC DIAMETER	"A" BOLT CIRCLE RADIUS	"E" OUTSIDE RADIUS
11.00 (279.4)	5.56 (141.2)	6.63 (168.4)
11.75 (298.5)	6.00 (152.4)	7.00 (177.8)
12.00 (304.8)	6.12 (155.4)	7.13 (181.1)
12.19 (309.6)	6.20 (157.5)	7.22 (183.4)
12.88 (327.2)	6.52 (165.6)	7.57 (192.3)

P/N	DESCRIPTION	CALIPER FINISH
120-15700	EPB Caliper for .81 Thick Rotor, Right Hand	Hard Anodize
120-15700-BK	EPB Caliper for .81 Thick Rotor, Right Hand	Black Powder Coat
120-15700-RD	EPB Caliper for .81 Thick Rotor, Right Hand	Red Powder Coat
120-15701	EPB Caliper for .81 Thick Rotor, Left Hand	Hard Anodize
120-15701-BK	EPB Caliper for .81 Thick Rotor, Left Hand	Black Powder Coat
120-15701-RD	EPB Caliper for .81 Thick Rotor, Left Hand	Red Powder Coat
120-15702	EPB Caliper for 1.10 Thick Rotor, Right Hand	Hard Anodize
120-15702-BK	EPB Caliper for 1.10 Thick Rotor, Right Hand	Black Powder Coat
120-15702-RD	EPB Caliper for 1.10 Thick Rotor, Right Hand	Red Powder Coat
120-15703	EPB Caliper for 1.10 Thick Rotor, Left Hand	Hard Anodize
120-15703-BK	EPB Caliper for 1.10 Thick Rotor, Left Hand	Black Powder Coat
120-15703-RD	EPB Caliper for 1.10 Thick Rotor, Left Hand	Red Powder Coat

ELECTRIC CONTROL MODULE

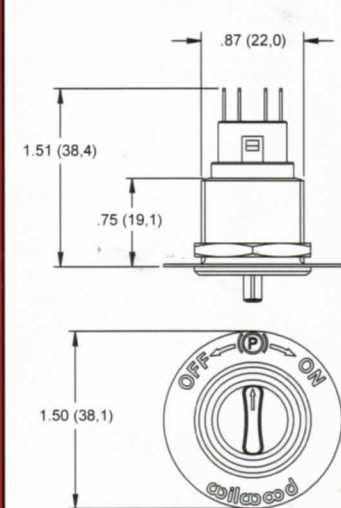


P/N	DESCRIPTION
620-15487	EPB Control Unit, 12 Volts DC

WIRING HARNESS

P/N	DESCRIPTION
610-15588	EPB Wiring Harness

EPB SWITCH



NOTE:
A .875" DIAMETER MOUNTING HOLE IS NEEDED TO INSTALL THE SWITCH

P/N	DESCRIPTION
300-15724	EPB Switch

