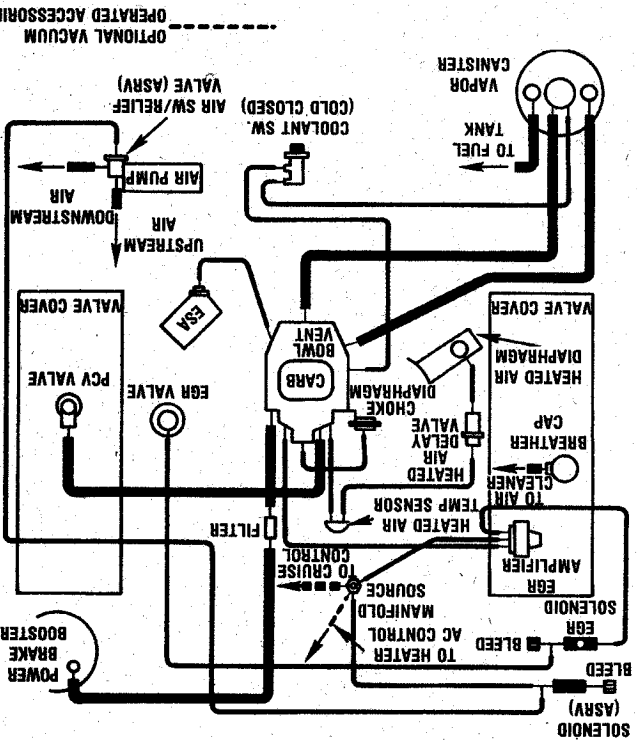
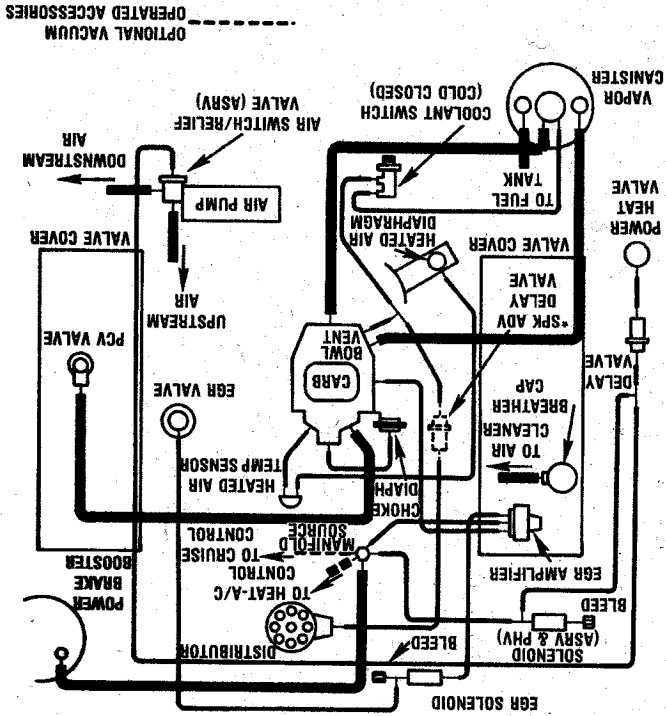


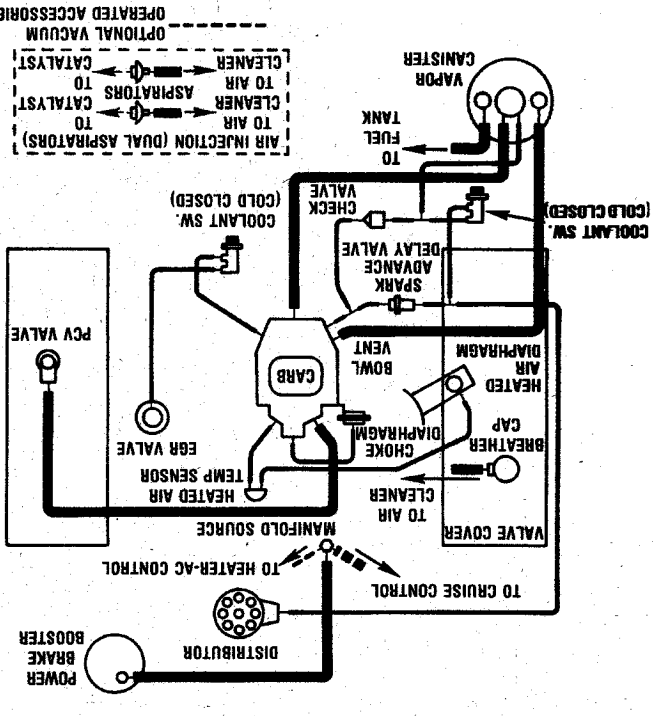
1.6al 1984 through 1987 vacuum hose routing for the 225 CID six-cylinder engine with ESA and catalyst (Canada models)



1.6am 1984 through 1987 vacuum hose routing for the 5.2L V8 engine with High Altitude (California models)



1.6an 1984 through 1987 vacuum hose routing for the 5.2L V8 engine with manual transmissions, catalyst and no ESA (Federal and Canada models)



1.6ao 1984 and 1987 vacuum hose routing for the 5.2L with automatic transmission, catalyst, no ESA (Canada models)