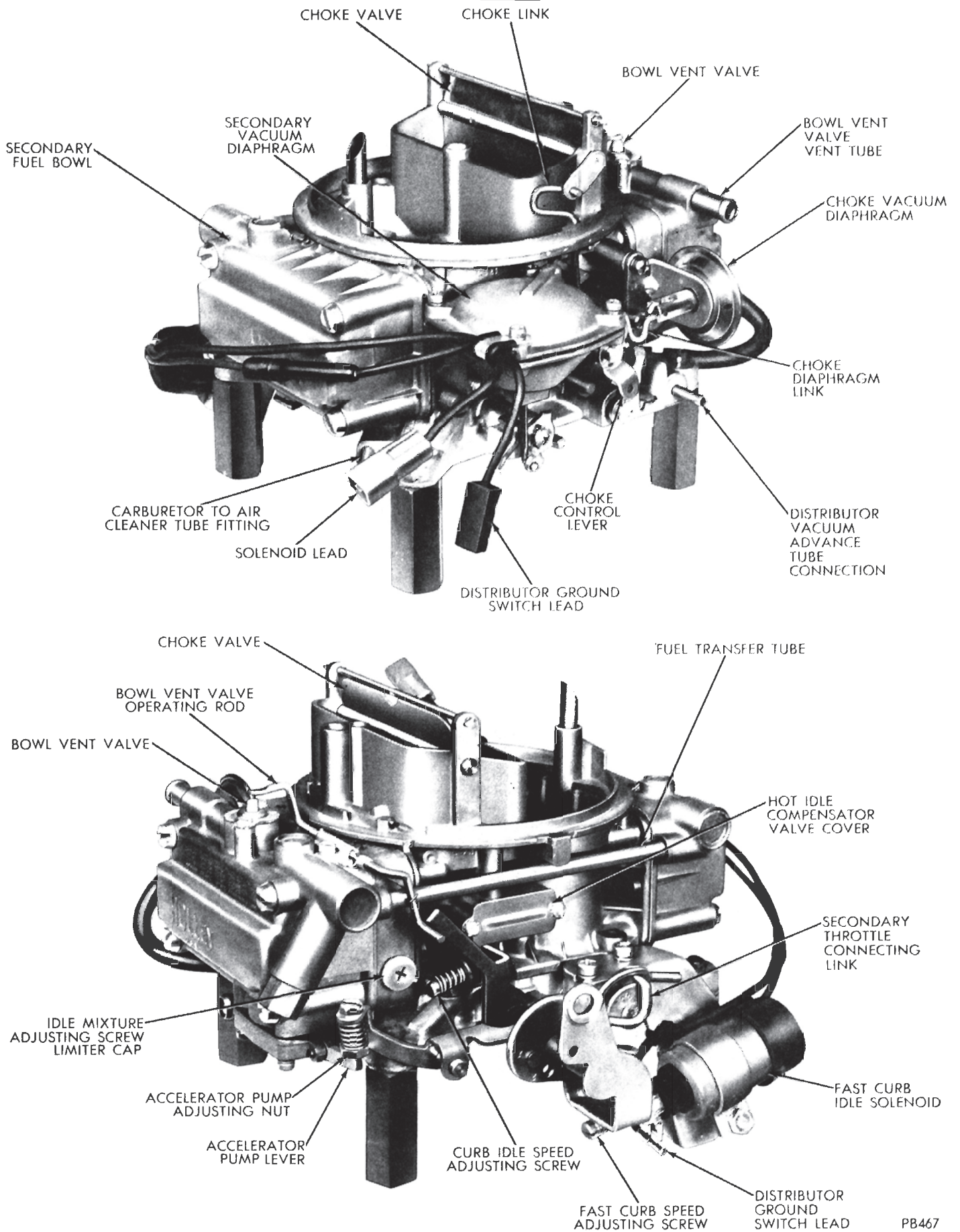


# HOLLEY 4160—FUEL SYSTEM 14-67



**Fig. 1 - Carburetor Assembly (Manual Transmission)**

PB467