

Fig. 48—Trim Panel—Charger

NR376

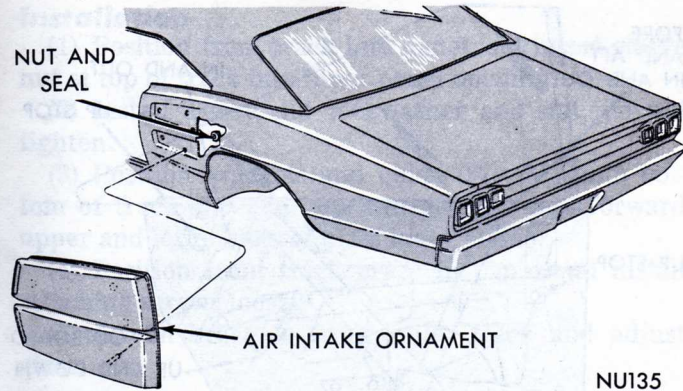


Fig. 50—Air Intake Ornament—Charger

NUI35

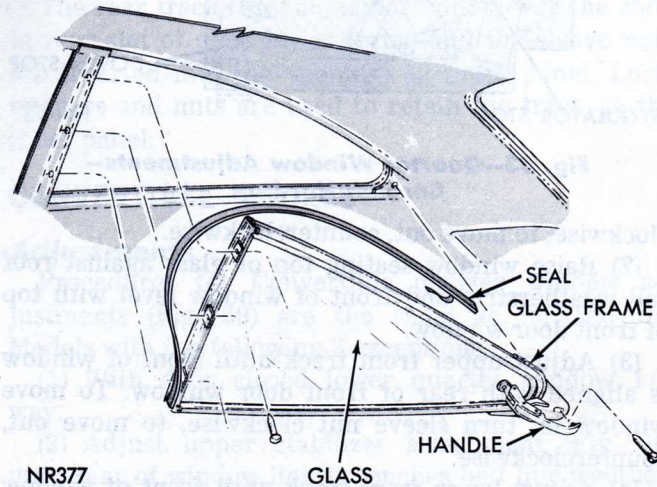


Fig. 51—Quarter Window Vent Glass—Sedan

NR377

the glass with a grommet, washer, retainer and screw.

HARDTOP MODELS

Adjustments

(1) With door closed, adjust upper rear track (Figs. 53 and 54) until rear of glass lightly touches belt line weatherstrip. To move window in, turn sleeve nut

TRIM PANELS

The rear seat cushion and back must be removed to access to the trim panel attaching screws. The trim panels (Figs. 47 and 48) are attached with screws and clips. When installing, make certain the water-panels properly cemented and positioned.

REFLECTOR

The side reflector is attached to a recessed part of the panel with nuts (Fig. 49).

AIR INTAKE ORNAMENT

Refer to Figure 50 for attachment method of the air intake ornament.

SEMI-SEDAN

The four sedan models are equipped with a vent type quarter window (Fig. 51). Elongated holes in the hinge allow correct positioning of the glass as it moves to the opening.

The release handle assembly (Fig. 52) is attached to

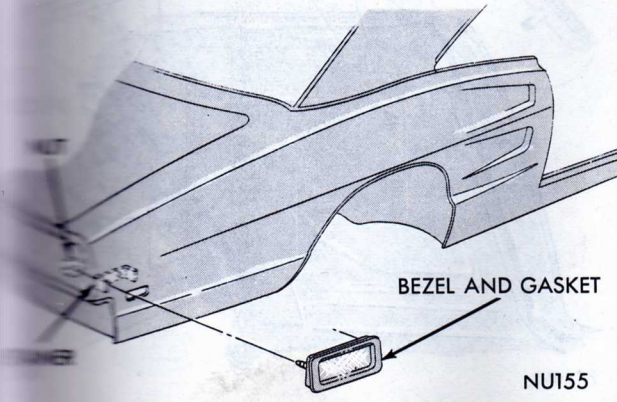


Fig. 49—Quarter Panel Side Reflector

NUI55

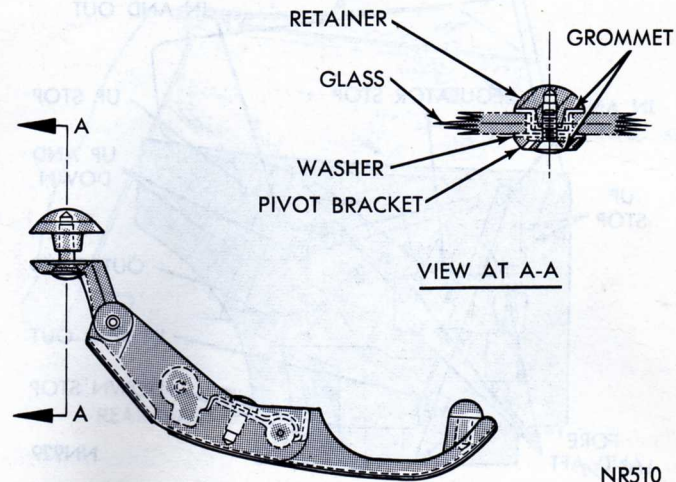


Fig. 52—Release Handle—Sedan

NR510